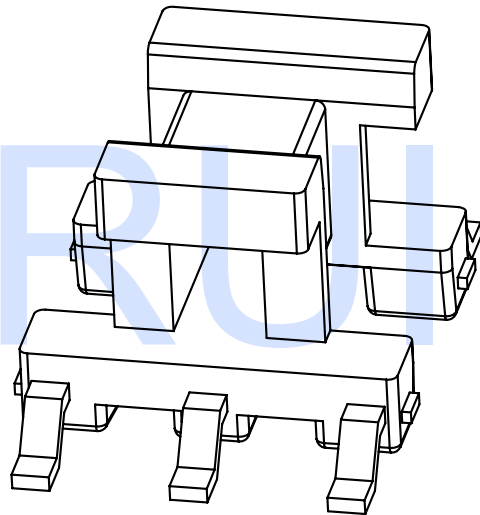
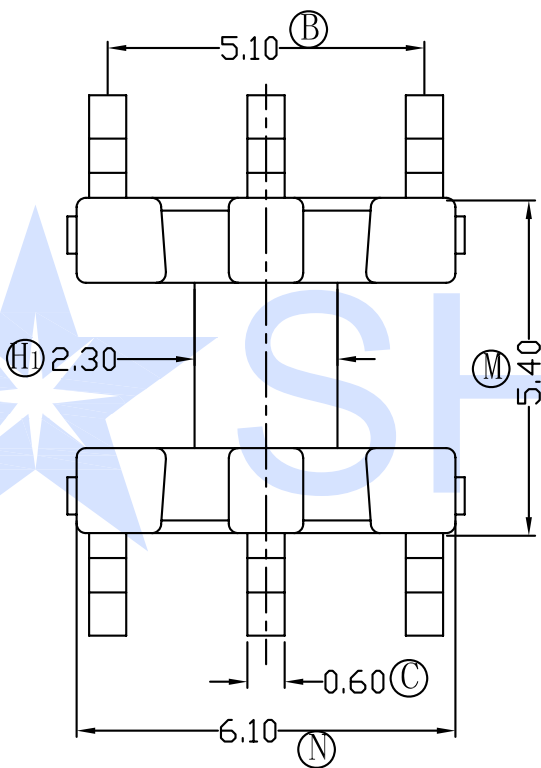
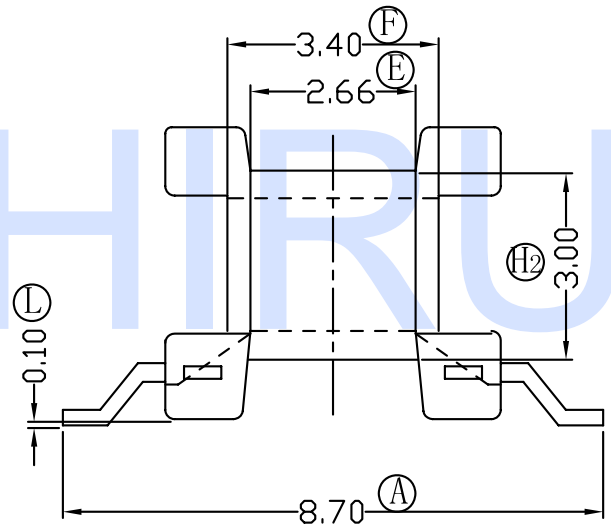
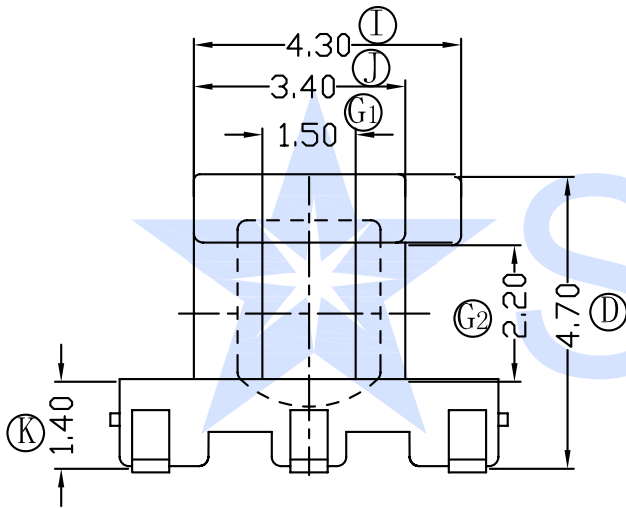


P/N

SR-SMD EE0601



**Hefei Shirui Electronic Technology Co., Ltd**

TEL: (0086) 55165232650

sales@shiruitech.com

www.shiruitech.com

SR NO.

SR-SMD EE0601

MATERIAL:

LCP-E4008

UNIT: mm

TOLERANCE

DRN.

WILL H

MODEL NAME!

EE6.3-6P-1S H

UL REC: UL 94V-0

ANGLE:  $\pm$ °



SCALE 1:1

0 L 4  $\pm 0.10$

4 L 16  $\pm 0.20$

16 L 64  $\pm 0.30$

PIN PITCH  $\pm 0.05$

CHD.

IRINA LEE

ISSD.

JAMES HU